

## Floor Boxes

### Hubbell SystemOne Sub-Plates

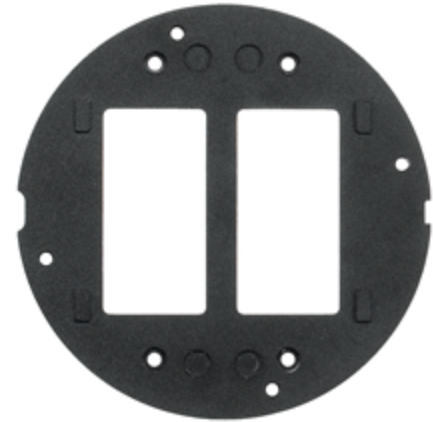
# HUBBELL

#### Features

- Durable cast aluminum construction, powder coat finish
- Large capacity and multi-service furniture feed applications
- Open system sub-plates permit maximum data flexibility

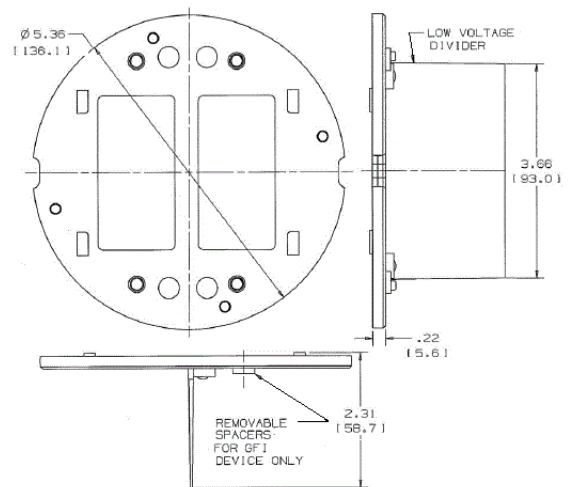
#### Ordering Information

| Description | Device Color | UPC          | Catalog Number |
|-------------|--------------|--------------|----------------|
| Style Line® | Black        | 783585371153 | S1SP           |



#### Specifications

|                  |                                   |
|------------------|-----------------------------------|
| Product Type     | SystemOne Sub Plates              |
| Sub-Plate Format | Style Line®/GFCI                  |
| Subplates for    | SystemOne Boxes and Poke-Throughs |
| Unit Package     | Single                            |
| Order Quantity   | Carton of 1                       |



#### Online Resources

[Customer Use Drawing](#)  
[eCatalog](#)  
[Installation Instructions](#)

Dimensions in Inches (mm)

Hubbell Wiring Device-Kellems • Hubbell Incorporated (Delaware) • 40 Waterview Drive • Shelton, CT 06484

Phone (800) 288-6000 • Fax (800) 255-1031 • Specifications subject to change without notice.

